



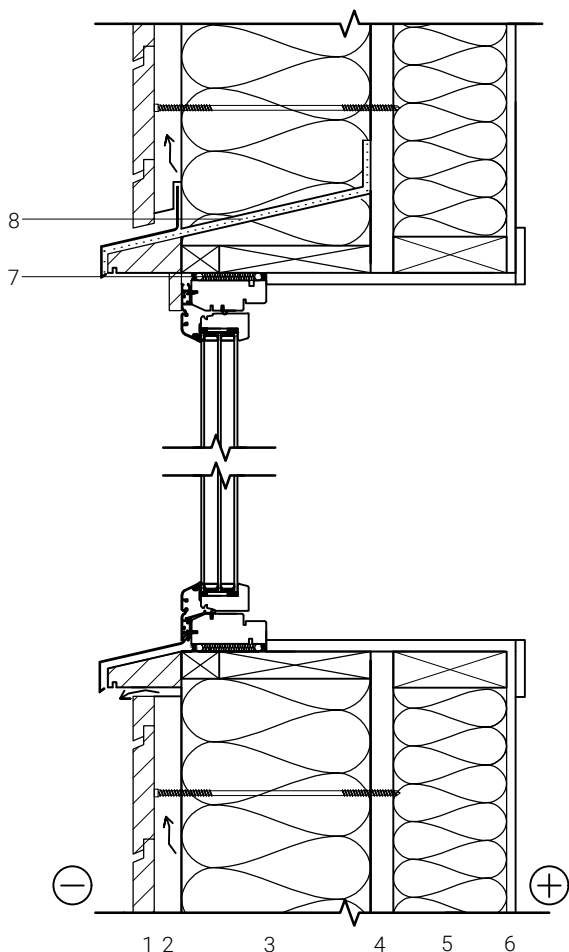
# PAROC®

Foretak:	Paroc AB	Detalj nr.:	NO-W-VF-10.30
Dato:	2025-01-23	Type:	Vindu
Tegnet av:	DFN	Informasjon:	Vindu - Vertikalsnitt og Horizontalsnitt - Betong
	1:10		

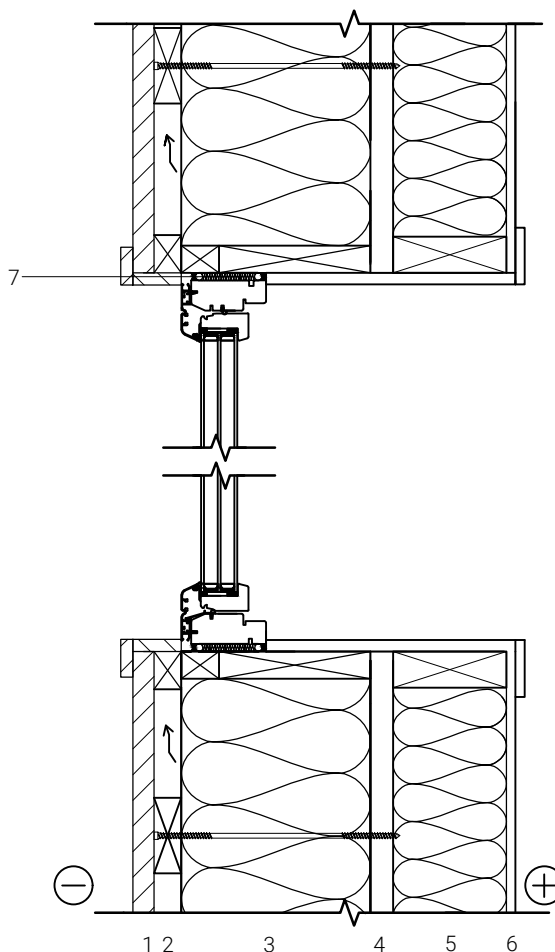
OBS: Veiledende prinsipp detalj

Prosjektspesifikke justeringer og endringer er konsulentens ansvar

Vertikalsnitt



Horizontalsnitt



1	Utvendig kledning
2	Lekt c/c600 og Fasadeskrue HECO Topix-plus Therm, tre (XFS 006)
3	PAROC Tenta Klimaplate™ ZERO og Isolasjonsholder SFS RP50/BS-4,8 tre (XFM 006)
4	Kryssfiner minst 30 mm eller tilsvarende
5	148mm bindingsverk med PAROC eXtra 150mm
6	Dampsperre og innvendig kledning
7	Ekspanderende fugebånd, Tetteremse glassull, Fugemasse mot Bunnfyllningslist
8	Membran

This drawing is owned by Paroc.

Paroc present the information on the drawing for mere indicative purposes. While the information on this drawing concerns a technical application of certain Paroc's products, it is in no event to be considered as technical advice.

Although we believe the information in this drawing to be accurate, Paroc does not make any warranty or guarantee concerning the accuracy or reliability of its content. This drawing is not intended to present the only or necessarily the best method or procedure. This drawing is provided in an "as is" format without warranties of any kind, expressed or implied, including but not limited to warranties of title, non-infringement or implied warranties of merchantability or fitness for a particular purpose.

Users of the provided drawing assume full responsibility for all concept/design decisions made relating to the suitability of use. Users must rely on their own judgment or that of a concept/design professional when determining how to best apply the data provided. Users agree that Paroc is under no obligation to provide additional details, testing or test data on its behalf.